

ASUS NUC 16 PRO

Faster, Smarter, More Secure for the AI-Driven Enterprise



ASUS NUC 16 Pro redefines high-performance compact computing for modern businesses. Powered by up to Intel® Core™ Ultra X9 Series 3 processors, it delivers up to 1.5× higher 3D graphics performance. On-board LPDDR5x memory supports up to 96GB, ensuring 20% faster speed and 50% lower power consumption, while dual 2.5G LAN and dual HDMI ports provide versatile connectivity. Built-in firmware TPM (fTPM 2.0) secures sensitive data, making the NUC 16 Pro a powerful, secure, and flexible solution for demanding professional workloads.

Key Selling Points

1. AI-Accelerated Hybrid Performance

Unleash next-gen AI workloads with **Intel® Core™ Ultra X9 processor**, **Intel® Arc™ B390 GPU**, and **NPU 5**. Hybrid XPU architecture delivers **up to 180 Platform TOPS**, optimized for **real-time Edge AI inference** and machine learning tasks.

2. Next-Gen Speed & Efficiency

Up to **96GB LPDDR5x 9600 MT/s**, delivering **up to 20% faster performance with 50% less power**. Dual-fan thermal design ensures maximum CPU performance in a compact chassis.

3. Hyper-Connected Workspace

Intel® Wi-Fi 7 and **Bluetooth 6.0** enable low-latency wireless. Dual **2.5G LAN** ensures **network redundancy**, **Zero Trust security**, and high throughput for enterprise and Edge AI workloads.

4. Enterprise Security & Management

Supports **fTPM** for hardware-based security. **ASUS Control Center & Edge Suite** enable centralized management, remote monitoring, and asset reporting.

5. Optimized Form Factor & Expansion

Compact **5x4 form factor (144x117x42mm)** with **Tool-less Chassis 2.0** allows upgrades to **dual M.2 SSDs (Gen5/Gen4)**. Maximizes thermal headroom while maintaining flexibility and performance.

6. Industrial Readiness & Long-Term Value

Durable, modular design supports harsh environments and long-term deployment. Rich internal I/O (**RS-232**, **PCIe x1**) enables POS, IoT, and industrial automation expansion.

Target Industries:

- Enterprise & Corporate
- Small & Medium Business (SMB)
- Education & Research
- Retail & Point-of-Sale
- Industrial Automation & IoT

Target Audience:

- Corporate IT & Enterprise Managers
- SMB Owners & Operators
- AI/IoT Developers & Integrators
- Creative Professionals / Multi-Display Users
- Tech Enthusiasts / Prosumers

Key Usage:

- Edge AI / Real-Time Inference
- Enterprise IT / Secure Management
- Industrial Automation, IoT & Digital Signage
- Multi-Display Workstations / Visualization
- High-Performance Computing / Modular Expansion

ASUS NUC 16 PRO

Specifications

Model name	ASUS NUC 16 Pro Mini-PC (NUC16GDK) / Kit (NUC16GDK-B) / Board (NUC16GDB)					
CPU	Intel® Core™ Ultra X9 (388H) Up to 65W TDP	Intel® Core™ Ultra X7 (358H) Up to 65W TDP	Intel® Core™ Ultra 7 (356H) Up to 65W TDP	Intel® Core™ Ultra 5 (325) Up to 45W TDP		
GPU	Intel® Arc™ Graphics			Intel® Graphics		
Memory ⁽¹⁾	Dual Channel (onboard) LPDDR5x or LPDDR5 (Up-to 96GB)			Dual Channel DDR5 CSO-DIMM (Up-to 128GB)		
Storage	2x M.2 2280 key M slots (1x PCIe x4 Gen5, 1X PCIe x4 Gen4) supports 128GB~8TB NVMe SSDs					
Network	Intel® Wi-Fi 7 ; Bluetooth 6.0 ; 2x 2.5G LAN			Security	Intel® Platform Trust Technology (fTPM 2.0) ⁽²⁾	
I/O Ports	Front	Back	Side	Internal Header ^(Board SKU only)		Expansion I/O Accessory ⁽⁴⁾
	1x USB 3.2 Gen2x1 Type-C (10Gbps) 2x USB 3.2 Gen2 Type-A(10Gbps)	2x USB 3.2 (10Gbps) 2x USB-C Thunderbolt® 4 2x RJ45 2x HDMI ⁽³⁾ or 2x DP 2.1 1x DCIN	1x Kensington Lock 1x Security mechanism for power cable	2 x USB 2.0 1 x RS232 1 x PCIe x1 Gen2 1 x Front Panel 1 x Power	1 x I2C 1 x eDP 1.5 1 x CPU Fan 1 x Aux Fan	1 x VGA Exp. 1 x RS232 Exp. 4 x USB2.0 Exp. 3 x USB2.0 + Audio Exp. 1 x RS232 + USB2.0 Exp. Blank
Display	Up to Quad Extended Displays (Support Power Sync with HDMI Sku)			Audio	Digital audio on HDMI and DP type C ports. Up to 7.1 multichannel (or 8-channel)	
OS	Mini PC : Win 11 Home 64-bit; Win 11 Pro 64-bit; Win11 Home NextGen Premium Kit & Board - No OS installed at shipment : WIN 11 Home 64-bit; WIN 11 Pro 64-bit; WIN 11 IoT Enterprise 64-bit; WIN 11 Pro Education 64-bit; Ubuntu 24.04 LTS 64-bit; RedHat Enterprise Linux 10.0 64-bit;					
AC Adapter	120W-150W AC adaptor ⁽⁵⁾					
Important Specs	VESA mounting plate included, Cable locking arm, Tool-less 2.0 design with spring-loaded, hinged lever-action design; Individual retail box packaging; Three-Year limited warranty					
Environmental	Operating Temp: 0–40°C; Storage Temp: -40 to 60°C; Humidity ⁽⁶⁾ : 0%–92% (non-condensing); Noise Level: Max. 38 dBA (0 RPM under idle)					
Dimension	144 x 117 x 42mm (5x4 Chassis, Mini PC & Kits) 127x110mm (Board)			Weight	750~910g (Mini PC) 700~730g (Kits) 330~410g (Board)	

⁽¹⁾ Memory specifications may vary depending on component availability.

⁽²⁾ Option for Discrete TPM 2.0.

⁽³⁾ The HDMI CEC feature is located under System Settings. Both HDMI-1 and HDMI-2 support CEC; Optional DisplayPort does not support CEC.

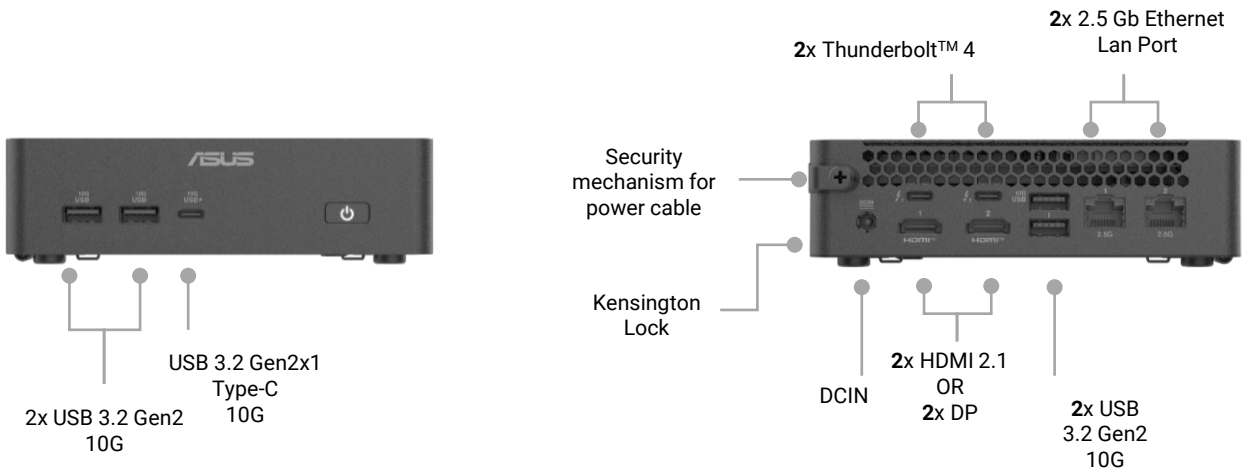
⁽⁴⁾ All lid-based. Expected availability Q2 2026. Actual specifications are subject to change based on local market requirements.

⁽⁵⁾ Power cord included is region specific, and the Board SKUs do not include the power cord.

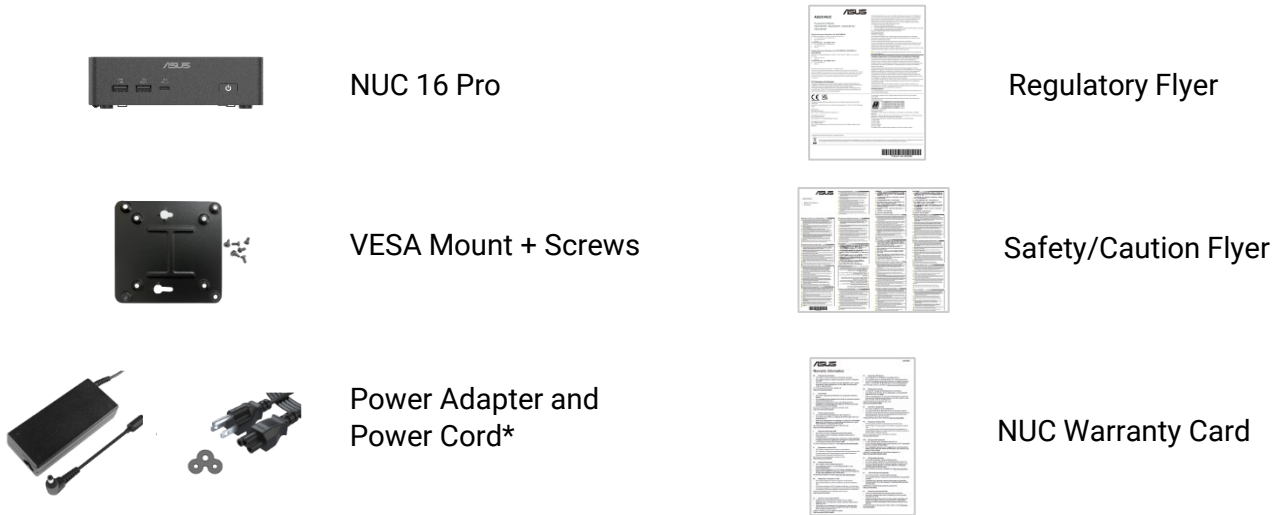
⁽⁶⁾ [Non-condensing Humidity defined by dew point](#)

ASUS NUC 16 PRO

I/O Ports



What's in box



NOTE:

- The most up-to-date and accurate product specifications are available on www.asus.com for download.
- Product and accessory images are for illustrative purposes only. The actual appearance and specifications may vary depending on the model.
- *The bundled power adapter may vary depending on the model and the country (or region) of sale.
- Some bundled accessories may vary depending on the model. For details on these accessories, refer to their respective user manuals.
- If the device or its components fail or malfunction during normal and proper use within the warranty period, bring the warranty card to the ASUS Service Center for replacement of the defective components.