



ASUS Ascent GX10

Compact, Powerful, and Scalable



The ASUS Ascent GX10, accelerated by the NVIDIA GB10 Grace Blackwell Superchip and the NVIDIA AI software stack, provides a full-stack solution for AI development and deployment. Its compact design facilitates seamless integration and deployment, enabling powerful AI performance for innovators who demand excellence. With advanced AI tools and NVIDIA® ConnectX®-7, this small-scale server enhances your AI capabilities while empowering your unique solutions.

Key Selling Points

- **Extreme AI Performance:** Powered by NVIDIA® GB10 Grace Blackwell Superchip delivering 1 petaFLOP of AI performance and 128GB memory for 200B model fine-tuning.
- **Developer-Optimized Platform:** Tailored for AI researchers and developers with full-stack compatibility and streamlined workflows.
- **Scalable Architecture:** Powered by NVIDIA® NVLink™-C2C for ultra-fast CPU-GPU memory communication and NVIDIA® ConnectX-7 networking, enabling dual ASUS Ascent GX10 system stacking to deliver greater memory capacity and model scalability.
- **Advanced Thermal Design:** Engineered cooling ensures sustained high performance and reliability in an ultra small form factor.
- **Minimal Footprint, Maximum Efficiency:** High-density compute power in a compact system designed for labs, offices, and edge environments.
- **Full Stack AI Solution:** The GB10 and NVIDIA AI software stack provide a full stack solution for AI development and deployment.

Audience:

- AI Researcher
- AI Developer
- Data Scientist
- Machine Learning
- AI Startup Founder

Target Usage:

- AI Model Prototyping and Fine-Tuning
- Inference Workload Processing
- Data Science and Edge Application Development

Target Market:

- Healthcare
- Industrial AI & Automation
- Fin-Tech Services
- AI Retail & E-commerce



Front



Back

ASUS Ascent GX10

Specifications

Model	ASUS Ascent GX10	
CPU	ARM v9.2-A CPU (GB10)	
Graphics	NVIDIA Blackwell GPU (GB10, integrated)	
Memory	128 GB LPDDR5x Coherent Unified System Memory	
Storage	1TB M.2 2242 NVMe™ PCIe® 4.0 x 4 SSD or 2TB M.2 2242 NVMe™ PCIe® 4.0 x 4 SSD or 4TB M.2 2242 NVMe™ PCIe® 5.0 x 4 SSD	
Operating System / Software	NVIDIA DGX™ OS / NVIDIA AI Software Stack	
Wireless Data Network	AW-EM637 Wi-Fi 7 (Gig+) 2x2 + Bluetooth® 5.4	
LAN	1 x 10G LAN	
I/O Ports	Front	1 x Power button
	Back	3 x USB 3.2 Gen 2x2 Type-C, 20Gbps, alternate mode (DisplayPort)
		1 x USB 3.2 Gen 2x2 Type-C, with PD in (180W EPR PD3.1 SPEC)
		1 x HDMI 2.1
		1 x NVIDIA® ConnectX®-7 NIC
		1 x 10G LAN
1 x Kensington Lock		
Power Adapter Output	Up to 240W (USB-C PD 3.1 EPR) up to 48V/5A	
Device Power Input (Max)	180W via USB-C	
Certification	BSMI/CB/CE/FCC/UL/CCC/C-Tick/WiFi/RF/VCCI	
Dimension (W x D x H)	150 x 150 x 51 mm (5.91 x 5.91 x 2.01 inch)	
Weight	1.48 kg (3.26 lb.)	

ASUS Ascent GX10 Accessory

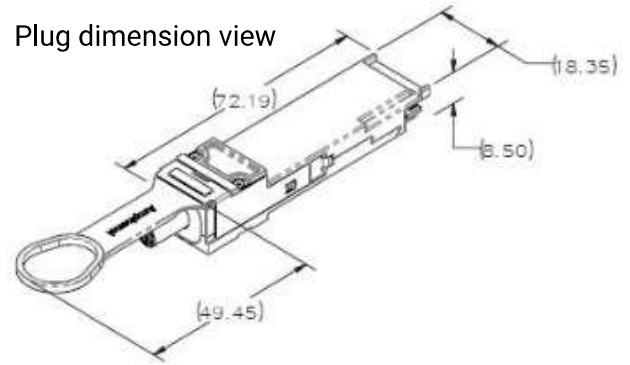
Specifications

Model	QSFP112 400G 0.4M DAC cable
--------------	------------------------------------

Picture



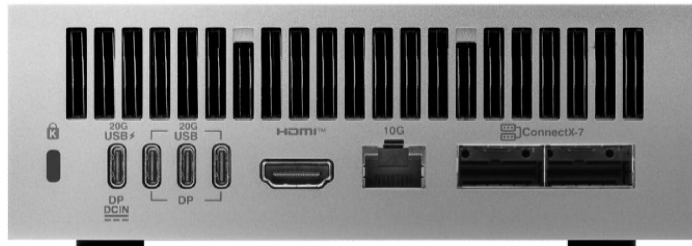
Plug dimension view



Cable Type/Medium	Copper Cable
Data Rate	112G (per lane, enabling 400G total bandwidth)
Bandwidth	Up to 400G
Application	Designed for Ethernet PAM-4 Applications
Connector Type	QSFP112
Cable Length	0.4 Meters (400 mm)
Length Tolerance	± 15 mm
Operating Mode	PAM-4 Modulation
Weight	95g

ASUS Ascent GX10

I/O Ports



— 1 x NVIDIA®
ConnectX®-7 NIC

Kensington Lock Slot

1 x USB 3.2 Gen 2x2 Type-C, with PD
in(180W EPR PD3.1 SPEC)

3 x USB 3.2 Gen 2x2 Type-C, 20Gbps,
alternate mode (DisplayPort 2.1)

1x HDMI 2.1b
port

1x 10 GbE LAN

What's in the box



ASUS Ascent GX10



Power supply



Inserts



Power Cord*

Accessory

Sold Separately. Please contact your local
Salesperson about ordering channel.



QSFP cable
0.4m

NOTE:

- The most up-to-date and accurate product specifications are available on www.asus.com for download.
- Product and accessory images are for illustrative purposes only. The actual appearance and specifications may vary depending on the model.
- *The bundled power adapter may vary depending on the model and the country (or region) of sale.
- Some bundled accessories may vary depending on the model. For details on these accessories, refer to their respective user manuals.
- If the device or its components fail or malfunction during normal and proper use within the warranty period, bring the warranty card to the ASUS Service Center for replacement of the defective components.